

BOSS The new standard in tower engineering



Introducing *BOSS*, the new standard in tower engineering. Over 30 design modifications improve stability, safety, durability and versatility. *BOSS* is the only new system designed to fully comply with HD1004, the stringent new pan European standard for mobile towers.

The *BOSS* system consists of four basic tower configurations which can be assembled separately or as a complete scaffold in order to provide a comprehensive access solution.

Versatility

The unique *BOSS* design ensures maximum use of common components between different tower configurations. Stockholding can therefore be kept to a minimum.

Quality

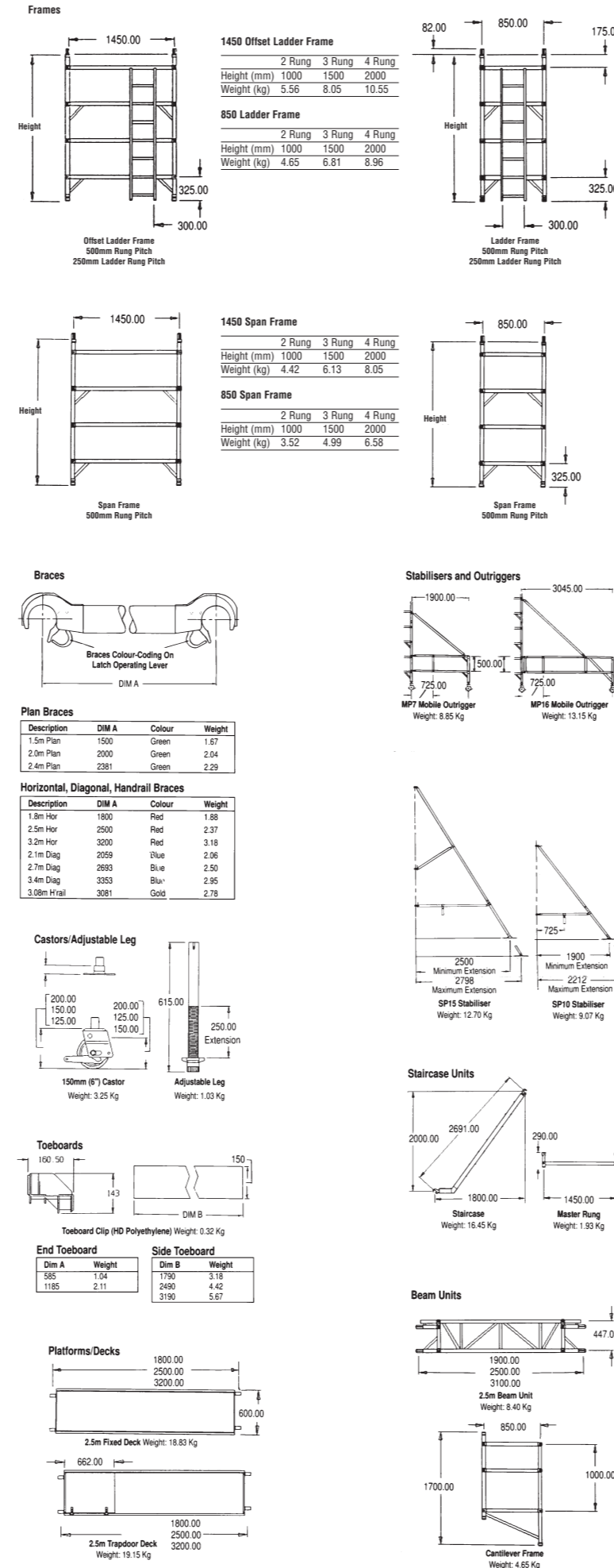
The *BOSS* system fully complies with HD1004 and has been tested and certified to BS1139:Part 3:1994 and DIN 4422 8/92, as well as receiving national approvals in Switzerland, Sweden, Norway and the Czech Republic. It also conforms to US standard ANSI A10-8 1988 and is UL classified.

Safety

BOSS combines new heights of performance with outstanding safety features, for example

- patented claw for the most secure grip
- integral ladders for safe access
- ribbed tubing for non-slip grip
- rugged stabilisers for outstanding rigidity

BOSS Components



SGB Youngman
The Causeway
Maldon, Essex
CM9 4LJ
United Kingdom

UK Enquiries
Tel: 08700 130360
Fax: 01403 321815
e-mail: youngmansales@sgb.co.uk

Export Enquiries
Tel: +44 (0)1621 745926
Fax: +44 (0)1621 745930
e-mail: export@sgb.co.uk

www.sgb.co.uk

BOSS New heights of performance



BOSS New features: your benefits



The new improved *BOSS* system incorporates a host of new features which set a new standard in aluminium tower engineering for today and the future.

Frames

- Frames are available in two widths: 850 (single deck) and 1450 (double deck) width to solve most access problems
- 2, 3 and 4 rung frames (1.0m, 1.5m & 2m) with and without integral ladder to maximise versatility and choice of platform heights
- Integral ladder gives increased user safety
- Ribbed frame horizontals are non-slip and provide secure handholds during assembly and disassembly
- Shorter floating spigots ease erection and dismantling by preventing the frames from sticking together
- A new, improved interlock clip is easier to disengage and allows frames to be locked in a single action without priming the catch

Decks

- Fixed and trapdoor decks are available in 1.8m, 2.5m and 3.2m sizes for maximum flexibility
- Reversible, hard wearing 10mm thick combiboard provides non-slip surface for sure footing
- Extruded aluminium deck frame affords edge protection to the combiboard deck assuring a long life
- Offset claws allow continuous platform runs on linked structures
- Simple windlock device prevents decks from lifting



Branding Options

- Subject to a minimum order, Boss can now be supplied with a branded sleeve, allowing easy identification of ownership

Brace Design

- New four-way colour coding on braces for quick & simple assembly and stock management (e.g. red - horizontal, blue - diagonal)
- Locking claw with trigger action that snaps into place providing the most secure grip on the market

Toeboard System

- Moulded toeboard clip is simple to install and accommodates any 25mm thick timber board
- Toeboarding of individual towers or continuous runs can be achieved

Adjustable Legs & Castors

- Adjustable Leg incorporates self cleaning thread with 250mm of adjustment
- Castors with trail/no trail action are available in three sizes to provide safe mobility and a stable footing

Stabilisers/Outriggers

- Static stabilisers and mobile outriggers provide increased stability for taller structures
- A new, improved heavy-duty stabiliser foot reduces the likelihood of damage on site



BOSS 1450 and 850 ladder span towers

The *BOSS* 1450 double deck width ladder span configuration is the most widely used and will adapt, whatever your needs.

The *BOSS* 850 single deck width tower has been specifically designed for use in confined spaces or when fixed obstacles restrict the use of wider tower structures. It is ideally suited for access in factories, hospitals, offices and schools where space is limited.

- All components with the exception of the frames are compatible with the 1450 double width ladder span tower
- Clear 600mm wide working platform when fully toeboarded
- Single width towers are suitable for narrow staircase applications



Both *BOSS* 1450 and 850 towers can be linked together with beam units to provide continuous platform runs. A range of components for special applications such as cantilevers, facade scaffolding systems, bridge structures and pedestrian access are available to complement the *BOSS* system.

BOSS 1450 stairway tower

The *BOSS* stairway tower has been designed so that frequent access to the working platform with tools and materials can be achieved safely. Maximum use of standard *BOSS* components optimises stock utilisation.

- Stairway tower is supplied with 1.8m long, 600mm wide platforms
- Access to the platform is by means of a full length trapdoor
- Extra wide staircase with large serrated slip-resistant treads provides safe and easy access to the working platform
- A 3.08m brace (gold) provides an external handrail for added security whilst climbing
- For direct access to the stairway, a walkthrough frame can be used at the base in place of the standard 4 rung span frame
- Integral landing platform on staircase allows an economical continuous stairway access to the working platform



The Room-Mate is a compact and highly portable access system designed for tradesmen who need low-rise access, especially while working indoors.

- Built from durable aluminium, the Room-Mate is light enough to be assembled and used by one person
- Unique hinged frame makes it easy to transport and manoeuvre through doorways and corridors.

- Quick, 2 stage assembly
- Base unit provides a choice of 7 platform heights up to 1.8m. Greater platform heights can be achieved by adding additional frames and other standard components from the *BOSS* range.

